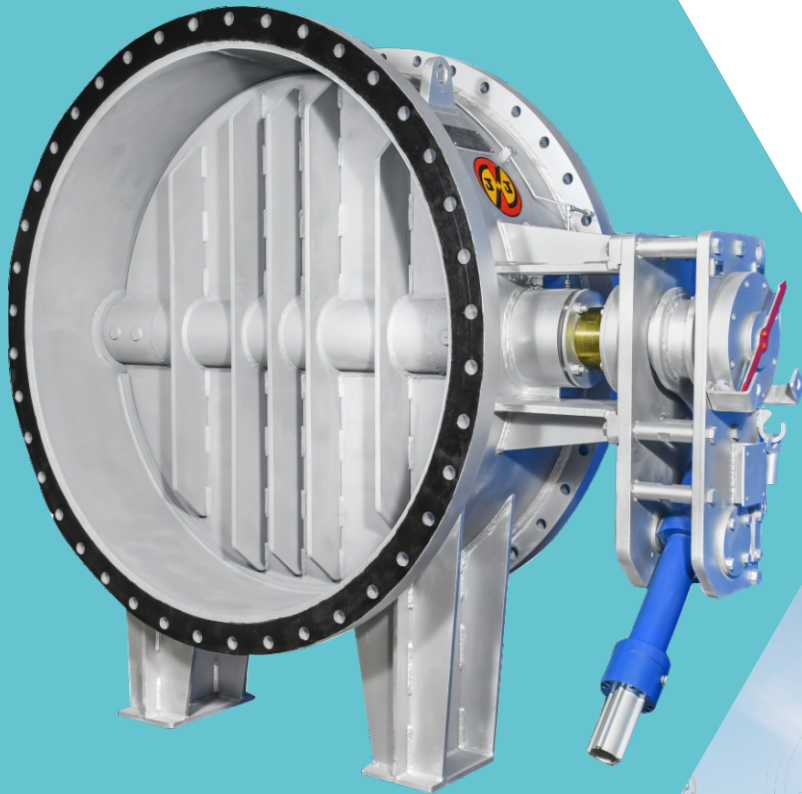
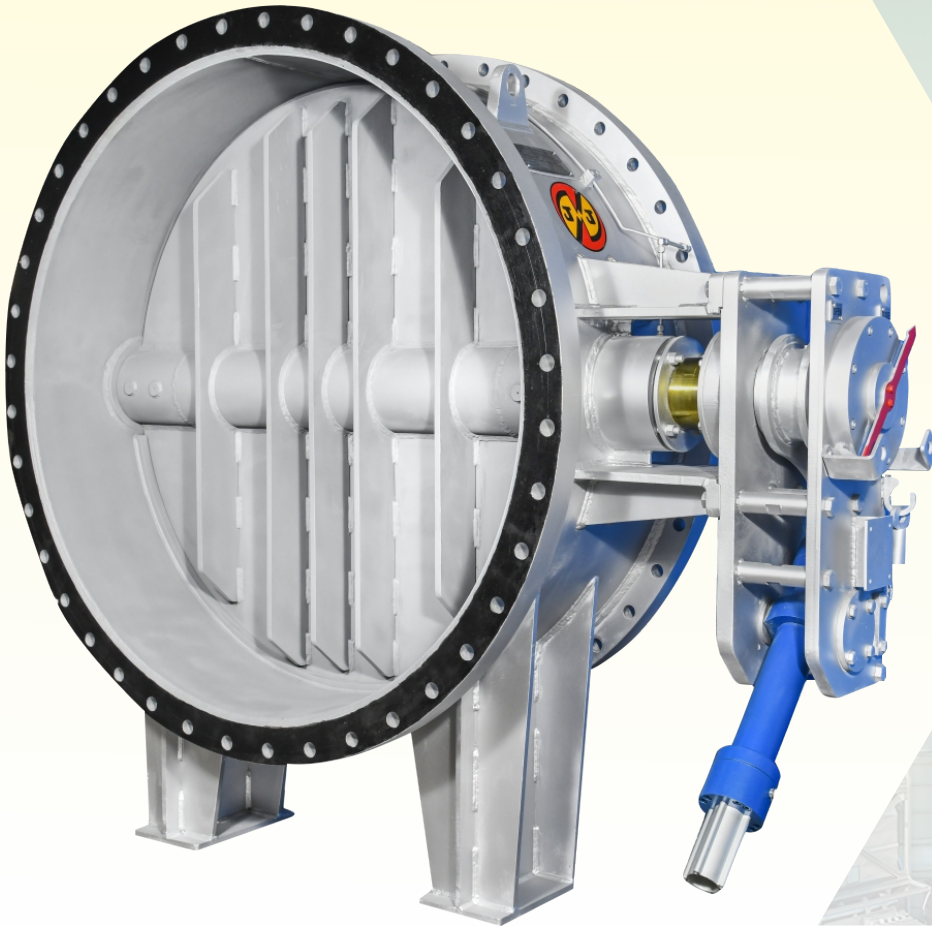




JoshiJampala Engineering GmbH
Technological Excellence Through Innovation



CONTROL DUTY BUTTERFLY VALVES



APPLICATION :

The control duty butterfly valve is used for the purpose of controlling/ regulating/throttling air/gas in pipelines.

TECHNICAL DESCRIPTION :

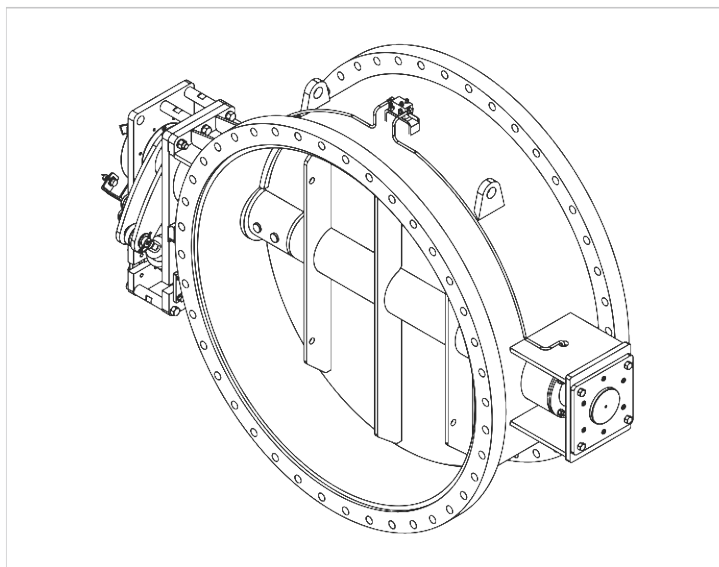
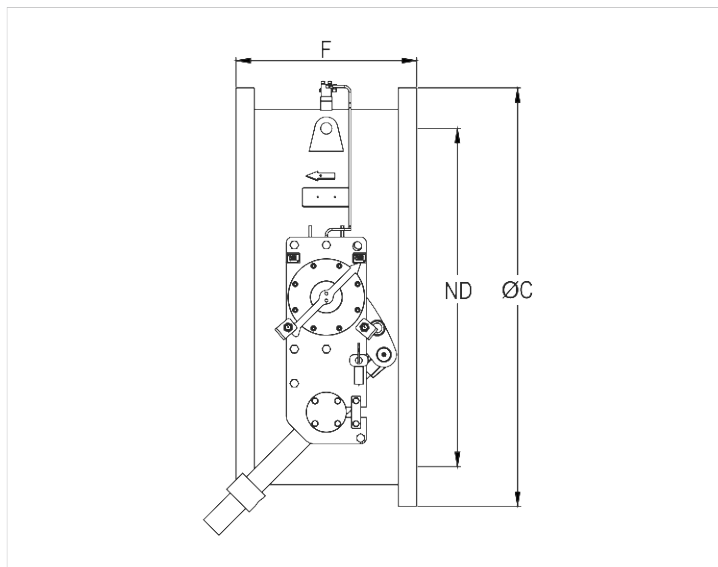
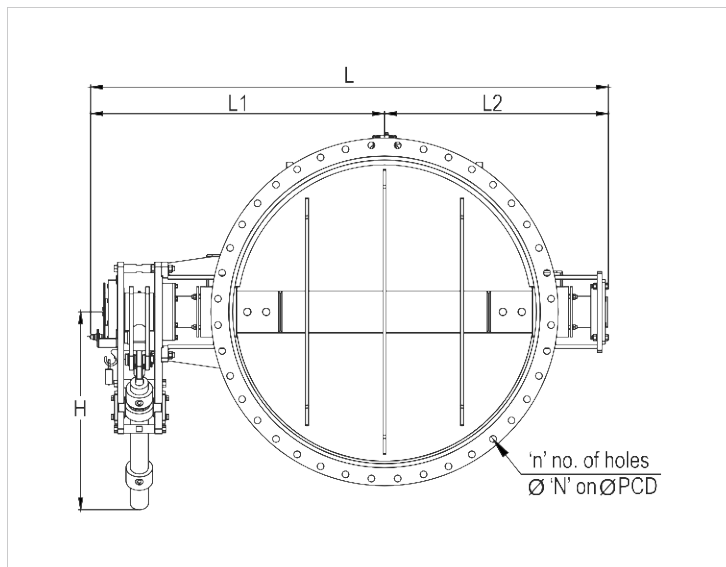
The valve consists of a body, disc, and shaft with outboard bearings, a stuffing box, and a drive mechanism. The valve is equipped with an electronic positioner and position transmitter for accurate regulation.

SPECIAL FEATURES :

- Electro-pneumatic smart positioner with a transmitter can also be provided with a pneumatic drive.
- Low-pressure drop disc construction.

TECHNICAL SPECIFICATIONS

SIZE RANGE	MAXIMUM OPERATING PRESSURE	MAXIMUM OPERATING TEMPERATURE	TYPE OF SEALING	CONNECTION TO PIPE	INSTALLATION IN PIPELINE	DRIVE	TESTING
Up to 3500 mm	Up to 0.5 Mpa	Up to 500°C	Non contacting	Flanged ends	Vertical in horizontal pipeline	Electric	Body test
					Horizontal in vertical pipeline	Pneumatic	Operational test



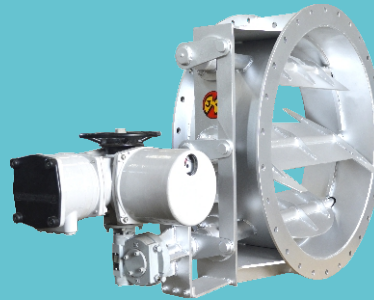
ND	Flange OD - C	Face to Face Dim - F	Hole Dia - N / PCD	No of Holes - n	L1	L2	H	APPROX WT IN KG
300	440	270	22 / 395	12	690	420	730	320
350	490	290	22 / 445	12	710	450	730	560
400	540	310	24 / 495	16	735	470	740	410
500	645	350	22 / 600	20	810	500	480	790
600	755	390	26 / 705	20	950	600	1035	910
750	920	400	30 / 865	24	1050	680	1120	1040
1000	1175	410	30 / 1120	28	1300	980	1200	1600
1600	1830	790	36 / 1760	40	1510	1230	1250	2975
1900	2155	910	42 / 2075	48	1675	1325	1280	4110

* Flange Rating - PN6 (Other On Demand) | Other Sizes On Demand

OTHER PRODUCTS



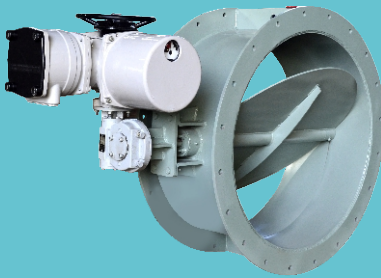
Multi louver Butterfly Dampers
(Rectangular)



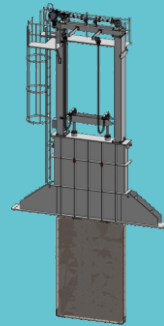
Multi louver Butterfly Dampers
(Circular)



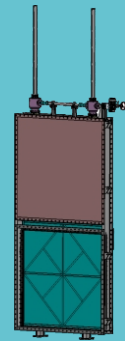
Rectangular type Butterfly Dampers



Circular Butterfly Dampers



Tunnel Dampers



Guillotine Dampers

INDUSTRIES SERVED



Petrochemical plant



Oil refinery plant



Product carrier



Iron and steel making



Oil and gas terminal



Thermal plant



Rigs and platforms



Cement industries



JoshiJampala Engineering GmbH
Technological Excellence Through Innovation

INDIA : M-64, Additional M.I.D.C., Satara - 415004, Maharashtra, India.
Tel : 91-2162 240097, 240017
Email : sales@joshijampala.com

GERMANY : Am langen Graben 24, 52353 Düren, Germany.
Tel : +49 171 3170 123
Email : sales.germany@joshijampala.com