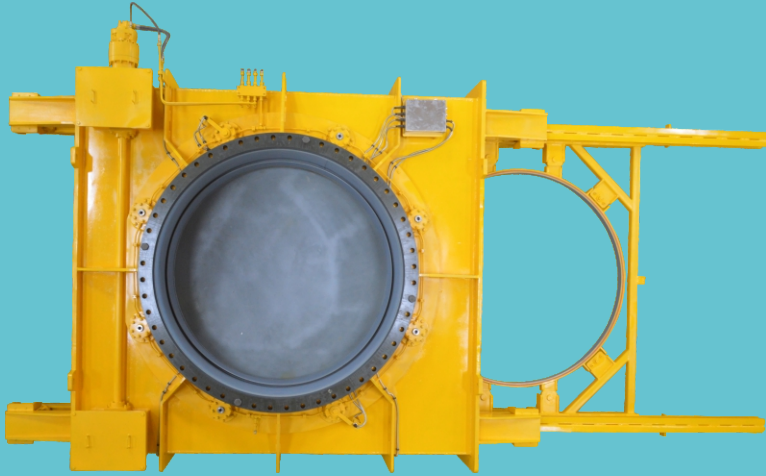
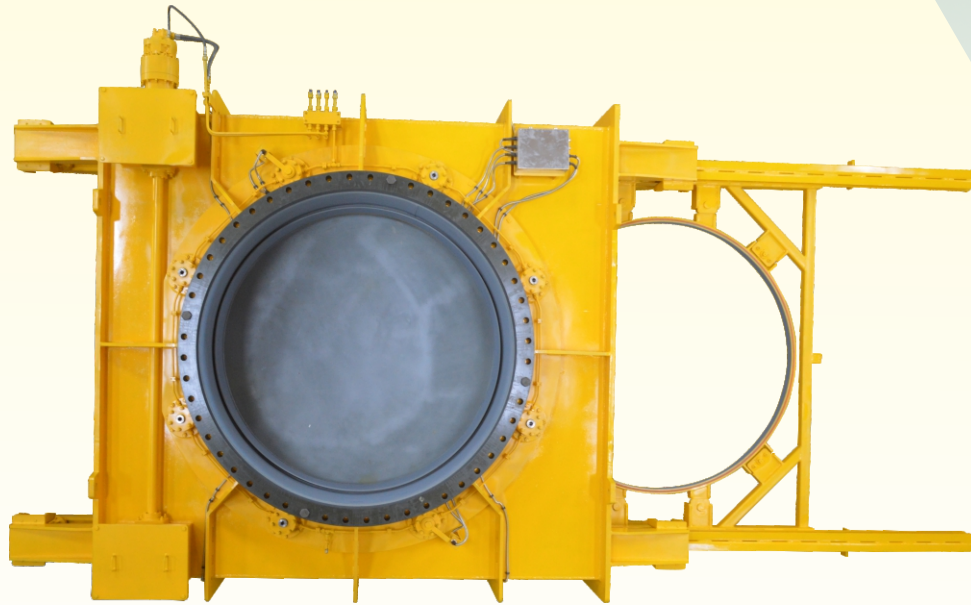




JoshiJampala Engineering GmbH
Technological Excellence Through Innovation



OPEN TYPE SLIDE PLATE GOGGLE VALVE



APPLICATION:

The Goggle valve is used for the isolation of Blast furnace gas/toxic or inflammable gases in the furnace, and converter gas pipelines.

TECHNICAL DESCRIPTION:

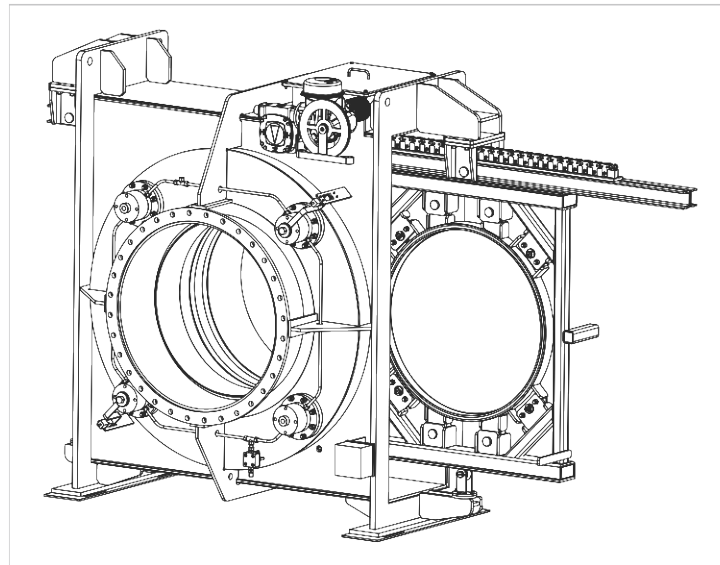
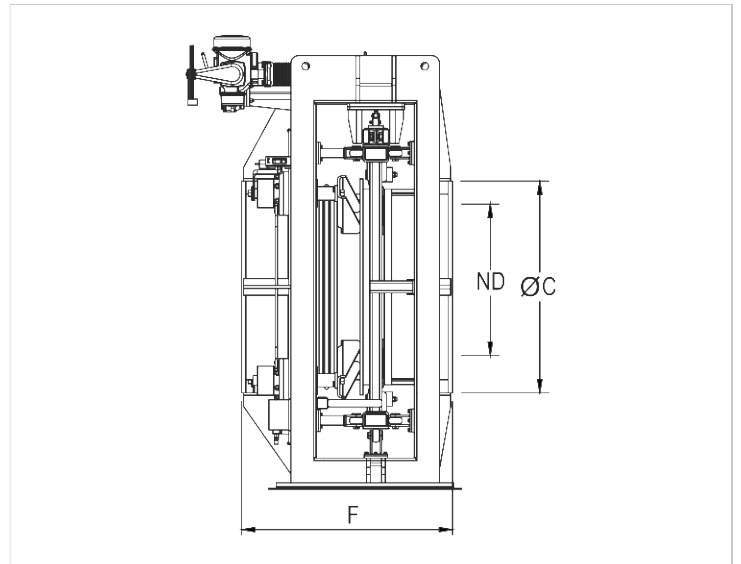
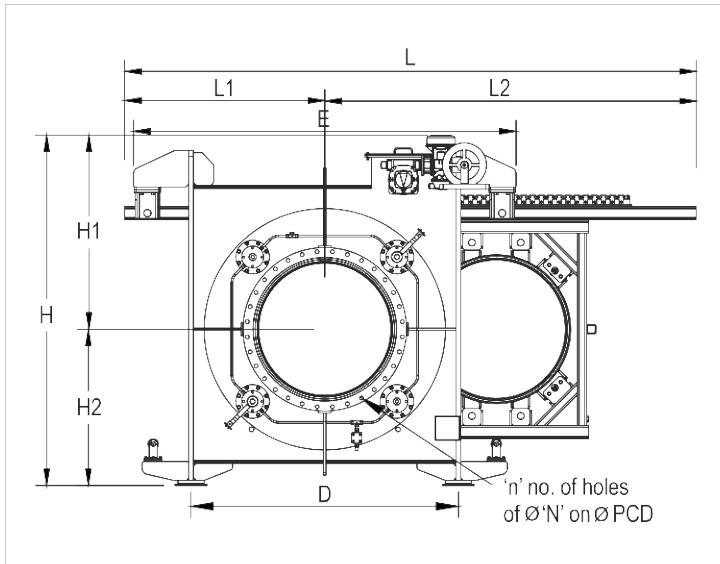
The valve mainly consists of the body, disc, compensator bellow, clamping/de-clamping mechanism, disc centering mechanism, and drive mechanism. These valves can be operated in auto as well as manual modes. The operation cycle consists of de-clamping the seats, disc movement (sliding), clamping of seats, and vent valve operation (opening or close). The valve is designed for jam-proof operation under extreme operating conditions.

SPECIAL FEATURES:

- Nitrogen purging arrangement can be provided at the end of either the close or open cycle.
- Interlocks are provided in the control panel to avoid any misalignment or illogical functioning of the goggle valve.
- All hydraulic tubing is outside the body for easy maintenance /replacement without dismantling the valve.
- Auto and Manual mode for valve function.
- Available in Vertical slide plate goggle valve configuration.

TECHNICAL SPECIFICATIONS

SIZE RANGE	MAXIMUM OPERATING PRESSURE	MAXIMUM OPERATING TEMPERATURE	TYPE OF SEALING	CONNECTION TO PIPE	INSTALLATION IN PIPELINE	DRIVE	TESTING
Up to 3000 mm	Up to 0.3 Mpa	Up to 200°C	Double sided silicon Rubber	Flanged ends	Vertical in horizontal pipeline	Electric	Body test
					Horizontal in vertical pipeline	Hydraulic	Seat leakage test
						Electro-Hydraulic	Operational test



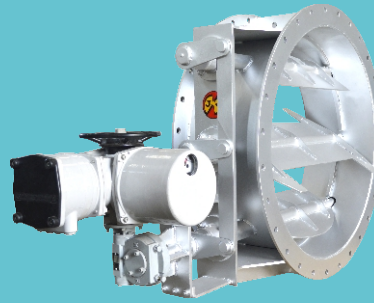
ND	Flange OD - C	Face to Face Dim - F	Hole Dia - N / PCD	No of Holes - n	L1	L2	H1	H2	D	E	APPROX WT IN KG
950	1125	1400	30 / 1070	28	1365	1825	1250	1270	1885	2860	3560
1200	1405	1400	33 / 1340	32	1720	3195	1670	1345	2300	3290	7020
1300	1520	1400	36 / 1450	36	1770	3345	1720	1395	2400	3400	8000
2200	2475	1600	42 / 2390	52	2650	6000	2190	1930	3395	5200	15500
2400	2685	1600	42 / 2600	56	2820	5500	2485	2500	3490	5620	16520
3400	3630	1600	48 / 2640	76	4025	7940	3200	2525	4295	8080	21500

* Other Sizes On Demand

OTHER PRODUCTS



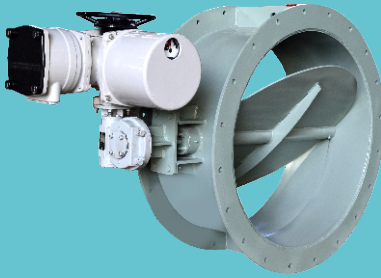
Multi louver Butterfly Dampers
(Rectangular)



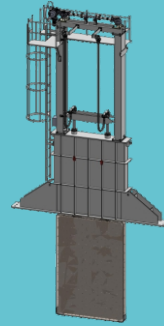
Multi louver Butterfly Dampers
(Circular)



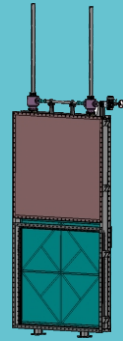
Rectangular type Butterfly Dampers



Circular Butterfly Dampers



Tunnel Dampers



Guillotine Dampers

INDUSTRIES SERVED



Petrochemical plant



Oil refinery plant



Product carrier



Iron and steel making



Oil and gas terminal



Thermal plant



Rigs and platforms



Cement industries



JoshiJampala Engineering GmbH
Technological Excellence Through Innovation

INDIA : M-64, Additional M.I.D.C., Satara - 415004, Maharashtra, India.
Tel : 91-2162 240097, 240017
Email : sales@joshijampala.com

GERMANY : Am langen Graben 24, 52353 Düren, Germany.
Tel : +49 171 3170 123
Email : sales.germany@joshijampala.com