



JoshiJampala Engineering GmbH
Technological Excellence Through Innovation



SNORT VALVE



APPLICATION :

A snort valve is used to regulate the flow of cold blasts going to the hot-blast stoves and vent out the excess quantity to the atmosphere through a blow-off device and silencer without disturbing the blower.

TECHNICAL DESCRIPTION :

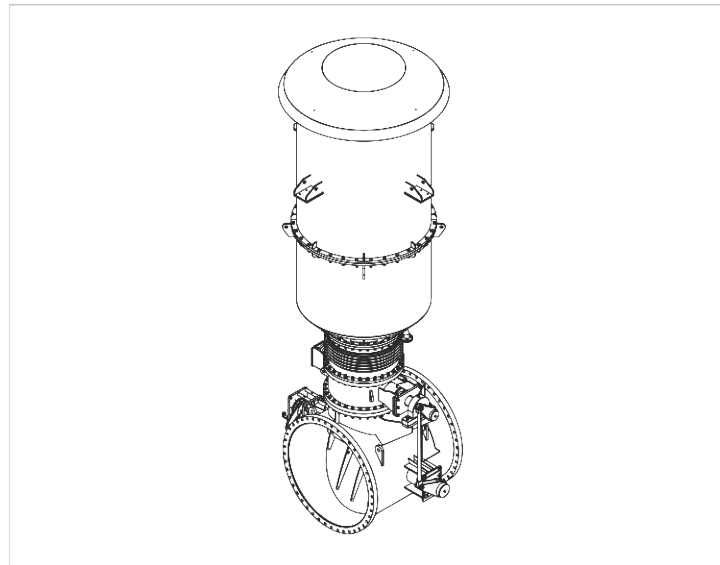
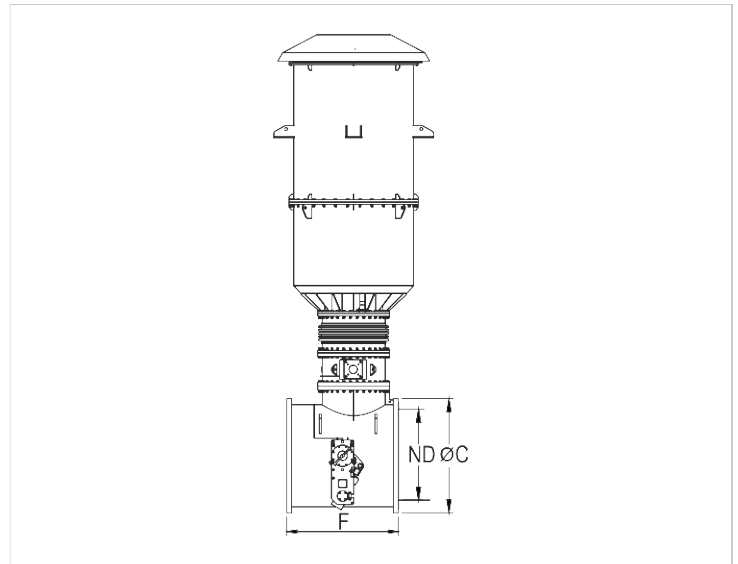
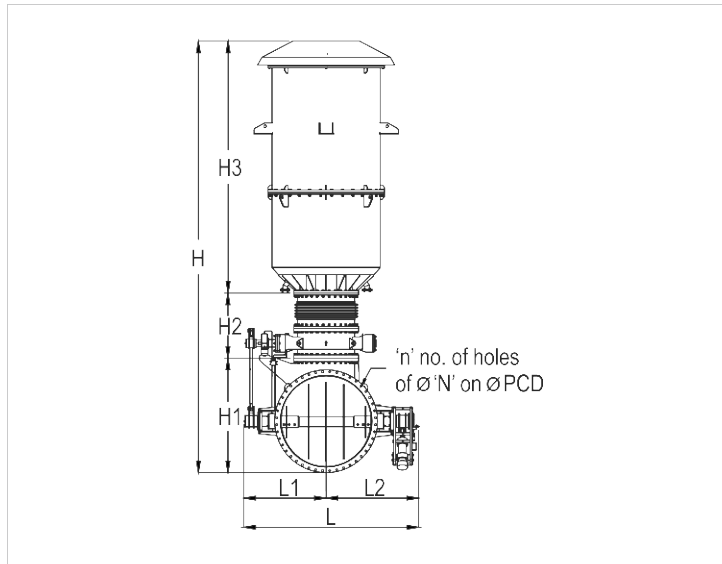
The valve mainly consists of the main control valve, exhaust valve, silencer, mechanical linkages, and drive mechanism. The main control valve is connected to the vent valve either through a mechanical linkage or a connecting rod to the disc on the exhaust valve. The synchronization between two valves is such that when the main valve is open the vent valve is completely closed and vice versa. This valve can be supplied with or without a silencer.

SPECIAL FEATURES :

- Specially designed silencer reduces the noise level of blow-off air jet with in permissible limits of 85 Db.

TECHNICAL SPECIFICATIONS

SIZE RANGE	MAXIMUM OPERATING PRESSURE	MAXIMUM OPERATING TEMPERATURE	TYPE OF SEALING	CONNECTION TO PIPE	INSTALLATION IN PIPELINE	DRIVE	TESTING
Up to 2000 mm	Up to 0.4 Mpa	200°C	Metal to Metal	Flanged ends	Vertical in horizontal pipeline	Electric	Body test
			Silicon rubber sealing			Pneumatic	Seat leakage test
							Operational test



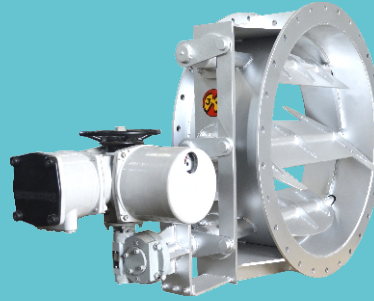
ND	Flange OD - C	Face to Face Dim - F	Hole Dia - N / PCD	No of Holes - n	H1	H2	H3	L1	L2	APPROX WT IN KG
700	860	750	26 / 810	24	1030	350	3535	850	1250	3500
800	975	800	30 / 920	24	1140	355	3535	920	1040	3800
900	1075	800	30 / 1020	24	1240	355	3535	970	1090	4000
1400	1630	1100	36 / 1560	36	1785	375	1670	1290	1585	6780
1800	2045	2000	39 / 1970	44	2280	1300	5025	1650	1750	15650

* Flange Rating - PN6 (Other On Demand) | Other Sizes On Demand

OTHER PRODUCTS



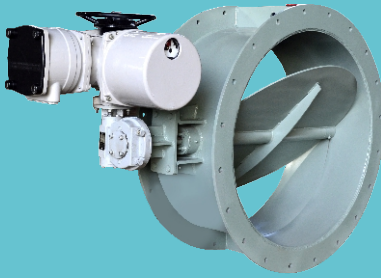
Multi louver Butterfly Dampers
(Rectangular)



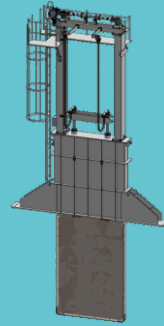
Multi louver Butterfly Dampers
(Circular)



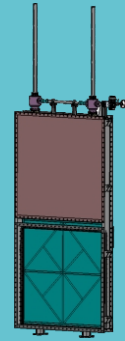
Rectangular type Butterfly Dampers



Circular Butterfly Dampers



Tunnel Dampers



Guillotine Dampers

INDUSTRIES SERVED



Petrochemical plant



Oil refinery plant



Product carrier



Iron and steel making



Oil and gas terminal



Thermal plant



Rigs and platforms



Cement industries



JoshiJampala Engineering GmbH
Technological Excellence Through Innovation

INDIA : M-64, Additional M.I.D.C., Satara - 415004, Maharashtra, India.
Tel : 91-2162 240097, 240017
Email : sales@joshijampala.com

GERMANY : Am langen Graben 24, 52353 Düren, Germany.
Tel : +49 171 3170 123
Email : sales.germany@joshijampala.com